



Area of Quadrilateral

Name _____

Score _____

AQ:18

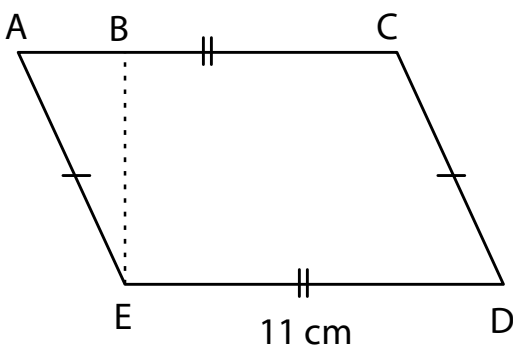
- 1) The area and one of the diagonal of a kite are 102 mm^2 and 12 mm respectively. Find the other diagonal of the kite.

- 2) Determine the side length of a square whose area is 25 m^2 .

- 3) Find the breadth of a rectangle, if the length and area of the rectangle are 5.5 cm and 14.85 cm^2 respectively.

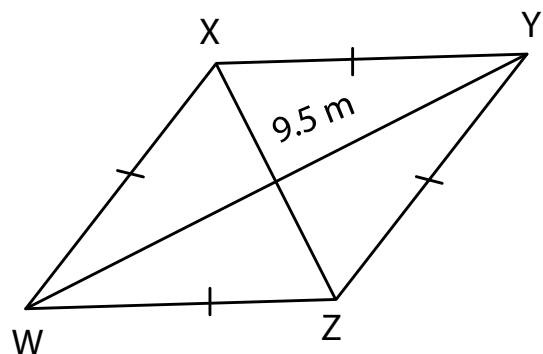
Find the missing length of each quadrilateral.

- 1) Area = 88 cm^2



BE = cm

- 2) Area = 79.8 m^2



WY = m



Area of Quadrilateral

Name _____

Score _____

Answer key

AQ:18

- 1) The area and one of the diagonal of a kite are 102 mm^2 and 12 mm respectively. Find the other diagonal of the kite.

17 mm

- 2) Determine the side length of a square whose area is 25 m^2 .

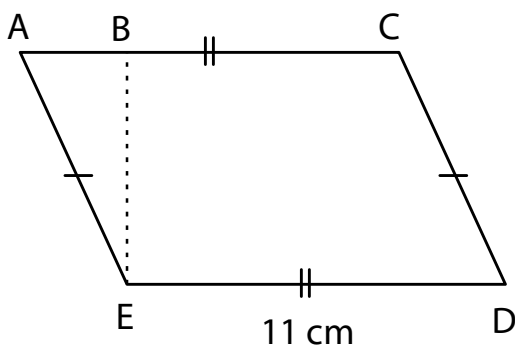
5 m

- 3) Find the breadth of a rectangle, if the length and area of the rectangle are 5.5 cm and 14.85 cm^2 respectively.

2.7 cm

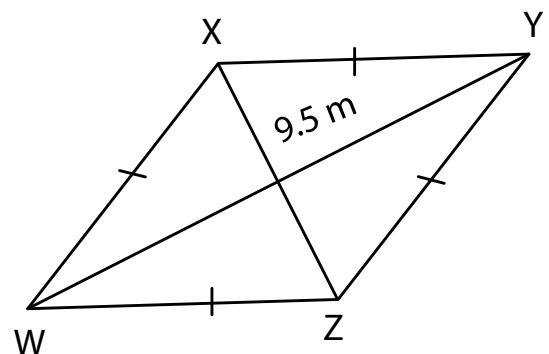
Find the missing length of each quadrilateral.

- 1) Area = 88 cm^2



BE = **8** cm

- 2) Area = 79.8 m^2



WY = **16.8** m