



Area of Quadrilateral

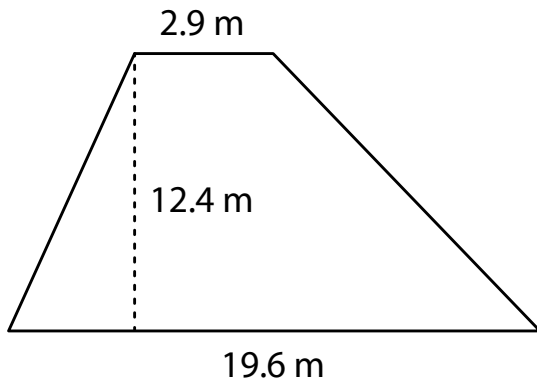
Name _____

Score _____

AQ:12

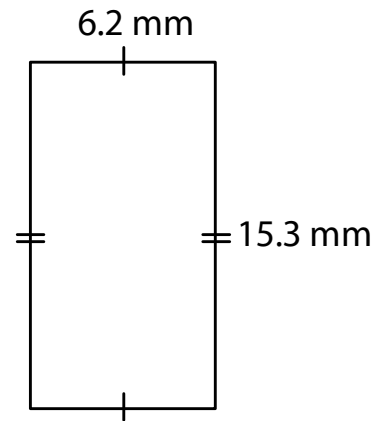
Find the area of each quadrilateral. Round the answer to nearest hundredth place.

1)



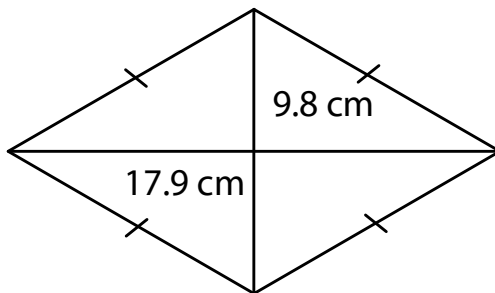
Area = _____ m^2

2)



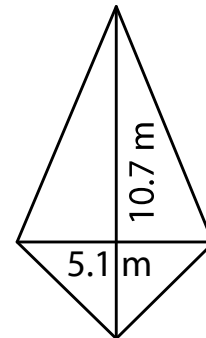
Area = _____ mm^2

4)



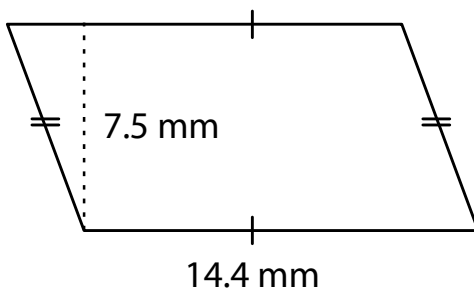
Area = _____ cm^2

5)



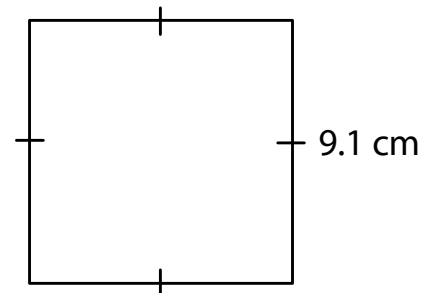
Area = _____ m^2

6)



Area = _____ mm^2

7)



Area = _____ cm^2



Area of Quadrilateral

Name _____

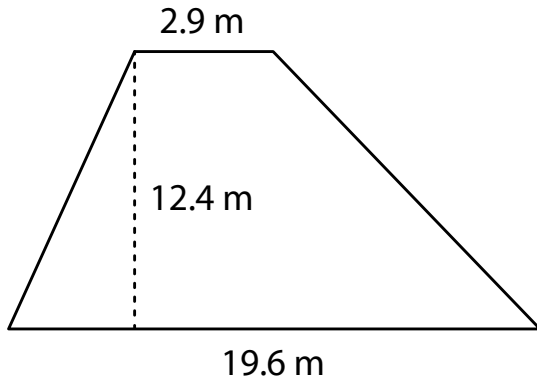
Score _____

Answer key

AQ:12

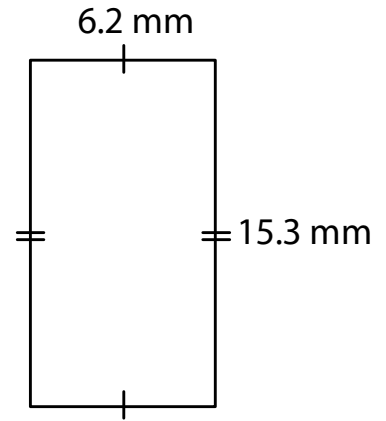
Find the area of each quadrilateral. Round the answer to nearest hundredth place.

1)



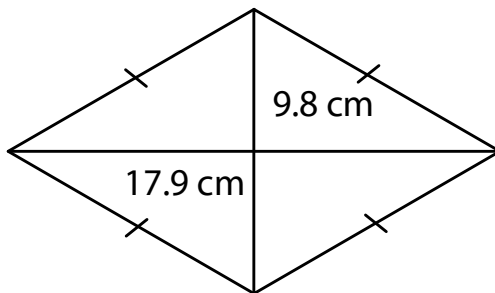
Area = 139.5 m²

2)



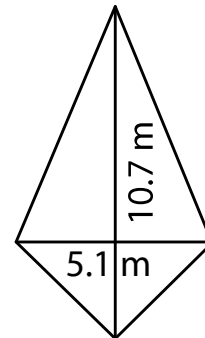
Area = 94.86 mm²

4)



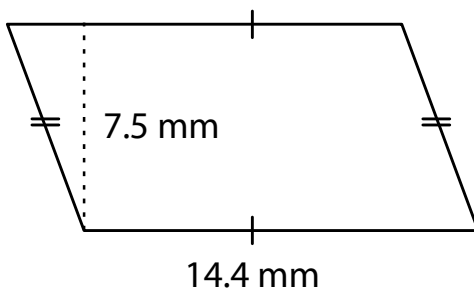
Area = 87.71 cm²

5)



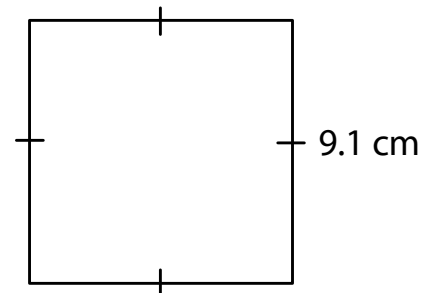
Area = 27.29 m²

6)



Area = 108 mm²

7)



Area = 82.81 cm²