



Area of Quadrilateral

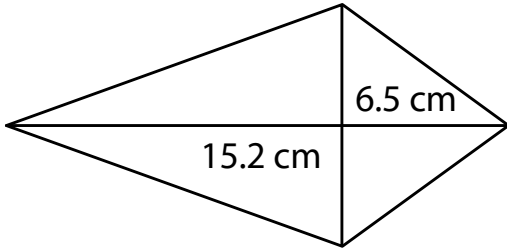
Name _____

Score _____

AQ:11

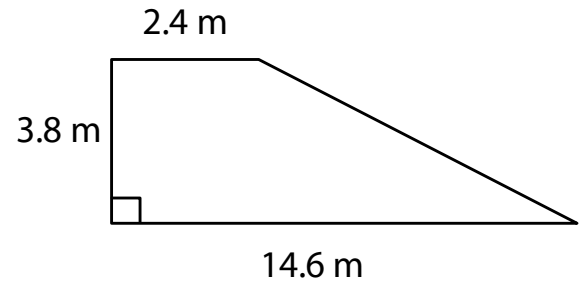
Find the area of each quadrilateral. Round the answer to nearest hundredth place.

1)



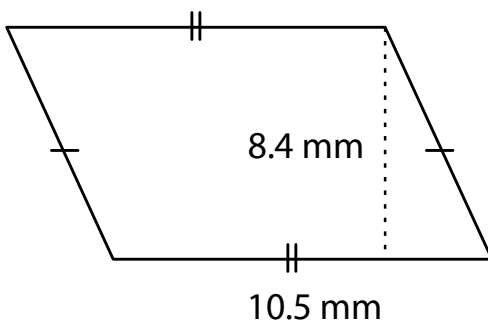
Area = _____ cm^2

2)



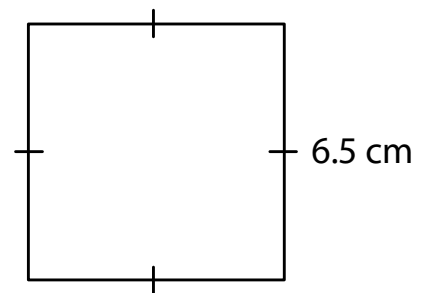
Area = _____ m^2

4)



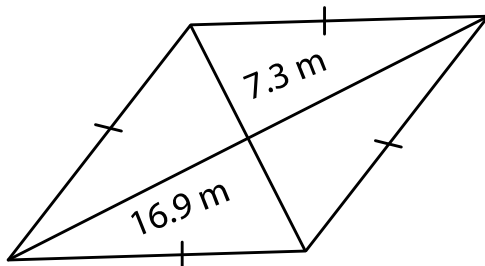
Area = _____ mm^2

5)



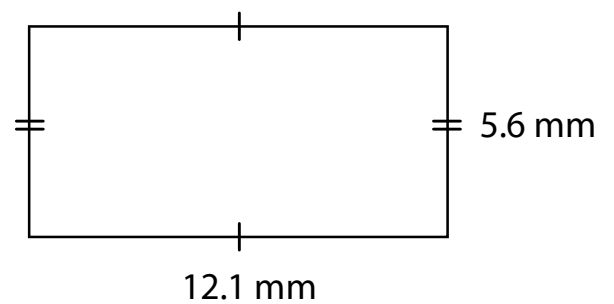
Area = _____ cm^2

6)



Area = _____ m^2

7)



Area = _____ mm^2



Area of Quadrilateral

Name _____

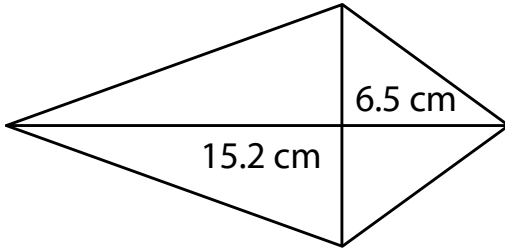
Score _____

Answer key

AQ:11

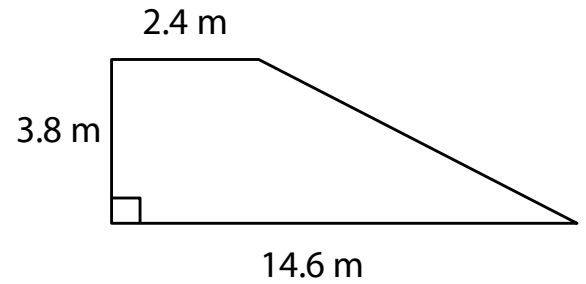
Find the area of each quadrilateral. Round the answer to nearest hundredth place.

1)



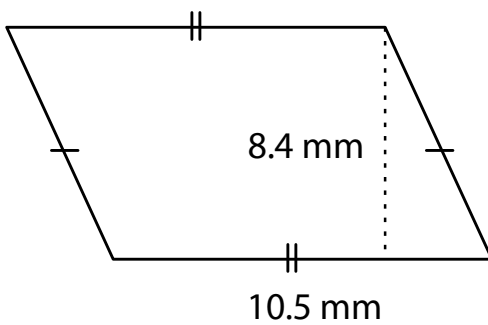
Area = 49.4 cm²

2)



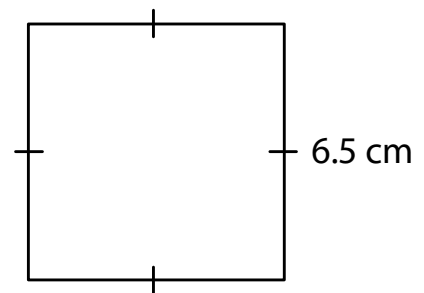
Area = 32.3 m²

4)



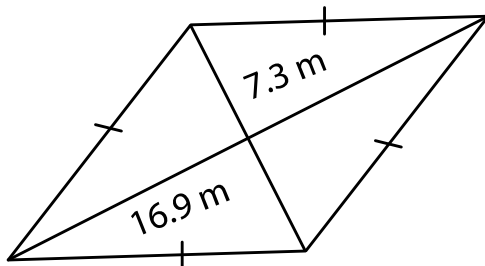
Area = 88.2 mm²

5)



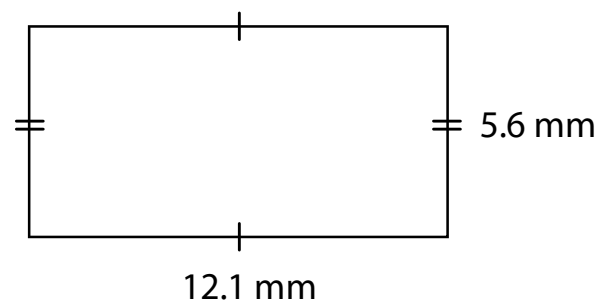
Area = 42.25 cm²

6)



Area = 61.69 m²

7)



Area = 67.76 mm²