



Area of Quadrilateral

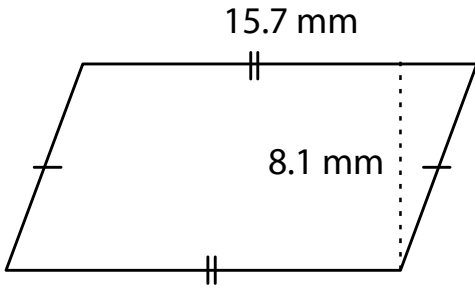
Name _____

Score _____

AQ:10

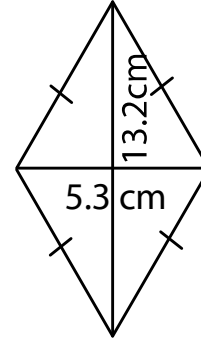
Find the area of each quadrilateral. Round the answer to nearest hundredth place.

1)



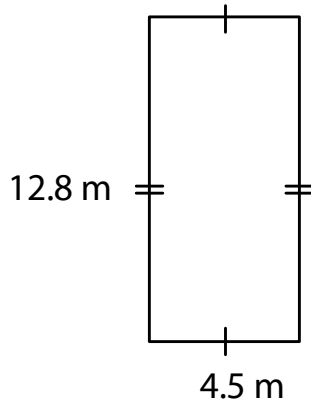
Area = _____ mm²

2)



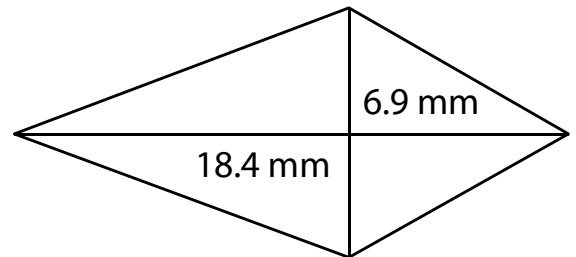
Area = _____ cm²

4)



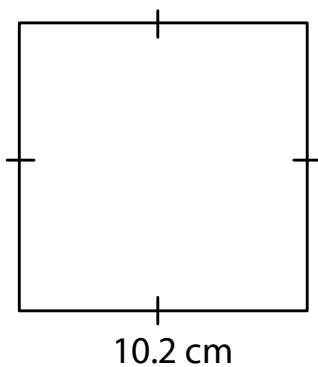
Area = _____ m²

5)



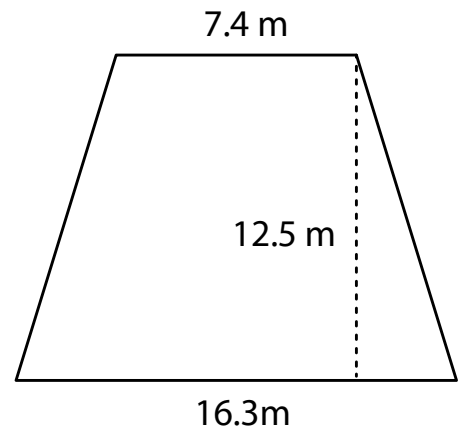
Area = _____ mm²

6)



Area = _____ cm²

7)



Area = _____ m²



Area of Quadrilateral

Name _____

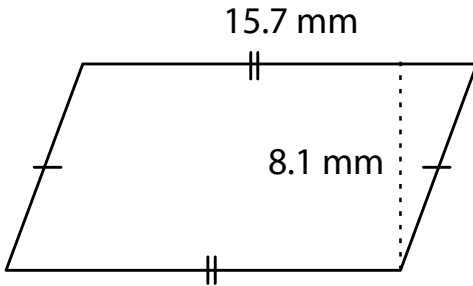
Score _____

Answer key

AQ:10

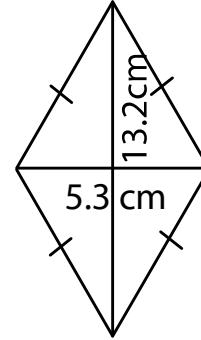
Find the area of each quadrilateral. Round the answer to nearest hundredth place.

1)



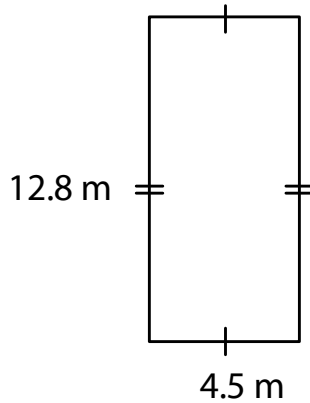
Area = 127.17 mm²

2)



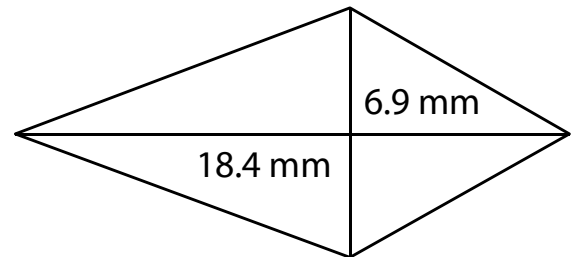
Area = 34.98 cm²

4)



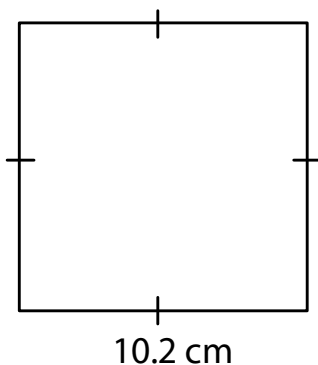
Area = 57.6 m²

5)



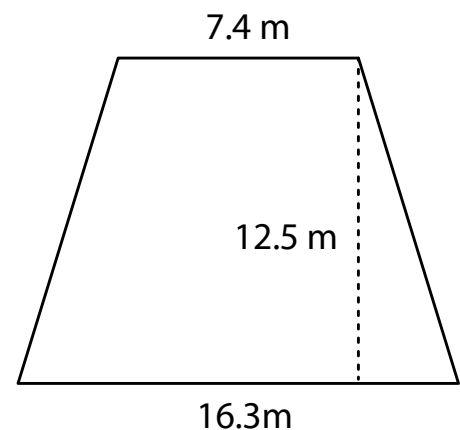
Area = 63.48 mm²

6)



Area = 104.04 cm²

7)



Area = 148.13 m²