



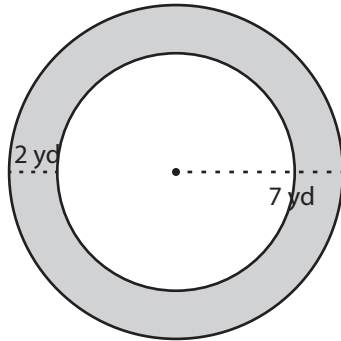
Area of Concentric Circles

Name _____

Score _____

AC:36

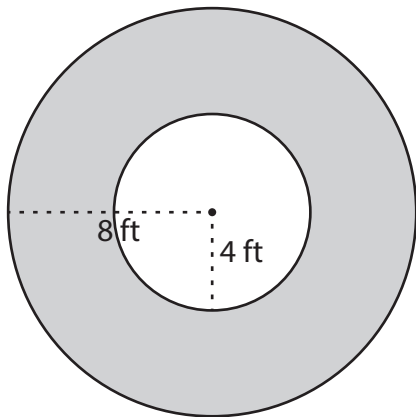
Example : Find the area of the shaded region. (Use $\pi = \frac{22}{7}$ or 3.14)



$$\begin{aligned} \text{Area of shaded region} &= \text{Area of the outer circle} - \text{Area of the inner circle} \\ &= \pi R^2 - \pi r^2 \quad ; \quad R = 7 \text{ yd} , r = (7 - 2 = 5) \text{ yd} \\ &= \pi(R^2 - r^2) \\ &= 3.14 \times (7^2 - 5^2) \\ &= 3.14 \times (49 - 25) = 3.14 \times 24 = \mathbf{75.36 \text{ yd}^2} \end{aligned}$$

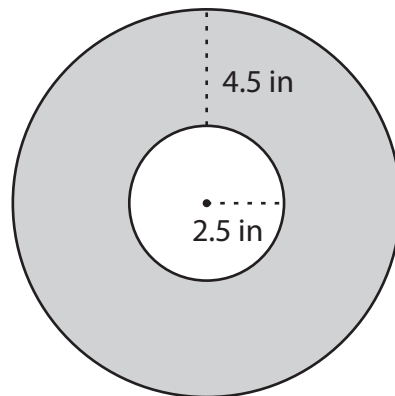
Find the area of the shaded region. (Use $\pi = \frac{22}{7}$ or 3.14)

1)



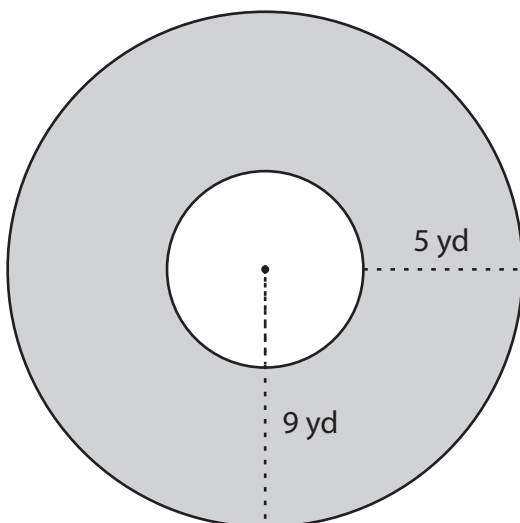
Area =

2)



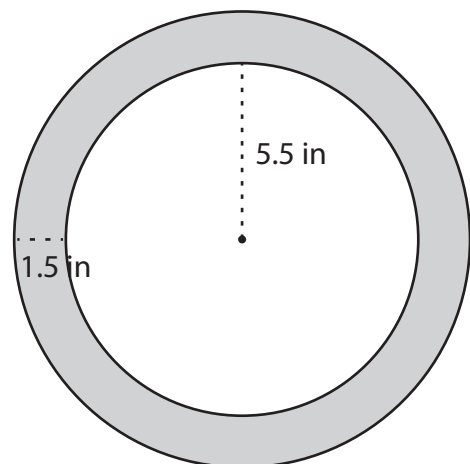
Area =

3)



Area =

4)



Area =



Area of Concentric Circles

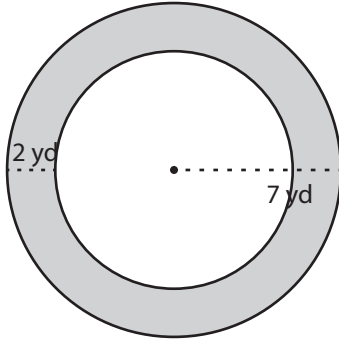
Name _____

Score _____

Answer key

AC:36

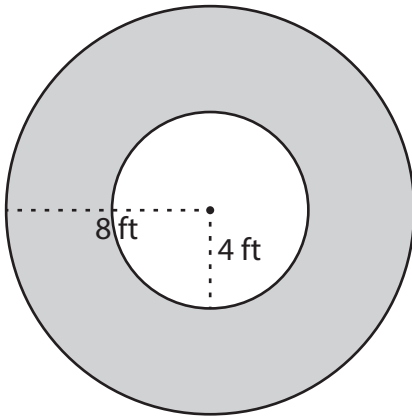
Example : Find the area of the shaded region. (Use $\pi = \frac{22}{7}$ or 3.14)



$$\begin{aligned} \text{Area of shaded region} &= \text{Area of the outer circle} - \text{Area of the inner circle} \\ &= \pi R^2 - \pi r^2 \quad ; \quad R = 7 \text{ yd} , r = (7 - 2 = 5) \text{ yd} \\ &= \pi(R^2 - r^2) \\ &= 3.14 \times (7^2 - 5^2) \\ &= 3.14 \times (49 - 25) = 3.14 \times 24 = \mathbf{75.36 \text{ yd}^2} \end{aligned}$$

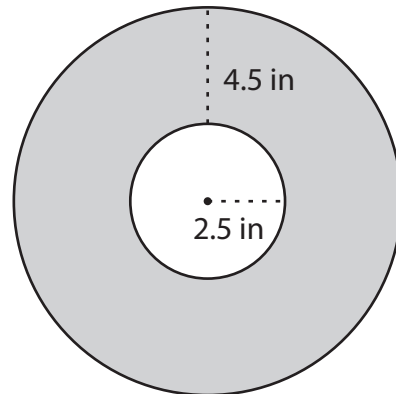
Find the area of the shaded region. (Use $\pi = \frac{22}{7}$ or 3.14)

1)



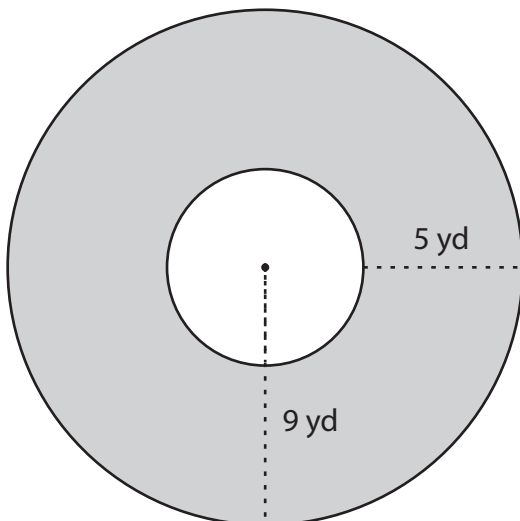
Area = **150.72 ft²**

2)



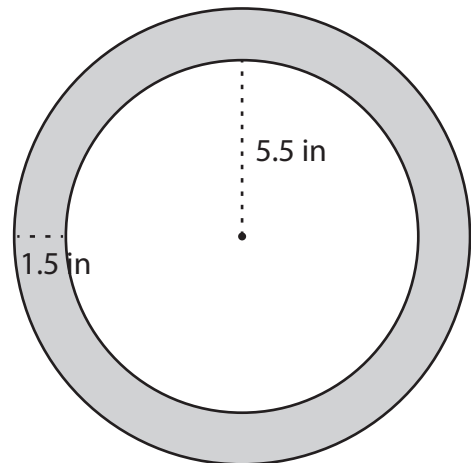
Area = **134.235 in²**

3)



Area = **204.1 yd²**

4)



Area = **58.875 in²**