



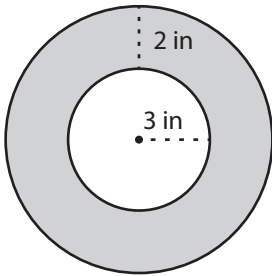
Area of Concentric Circles

Name _____

Score _____

AC:34

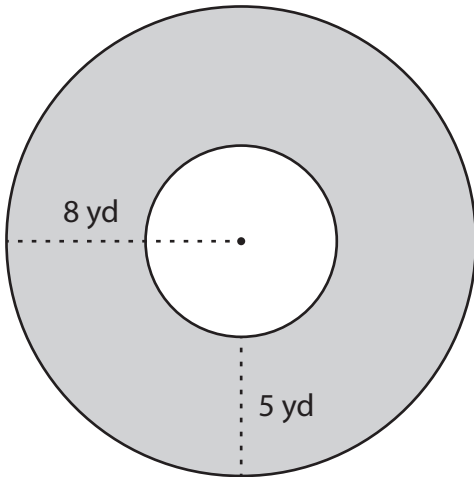
Example : Find the area of the shaded region. (Use $\pi = \frac{22}{7}$ or 3.14)



$$\begin{aligned} \text{Area of shaded region} &= \text{Area of the outer circle} - \text{Area of the inner circle} \\ &= \pi R^2 - \pi r^2 \quad ; \quad R = (2 + 3 = 5) \text{ in} , \quad r = 3 \text{ in} \\ &= \pi(R^2 - r^2) \\ &= 3.14 \times (5^2 - 3^2) \\ &= 3.14 \times (25 - 9) = 3.14 \times 16 = \mathbf{50.24 \text{ in}^2} \end{aligned}$$

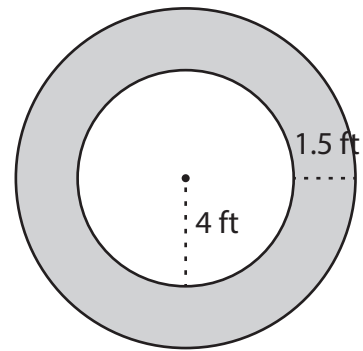
Find the area of the shaded region. (Use $\pi = \frac{22}{7}$ or 3.14)

1)



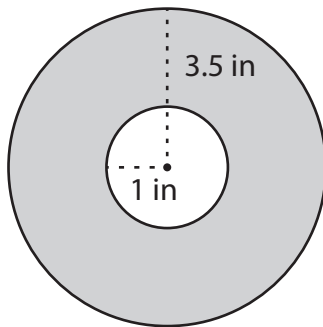
Area =

2)



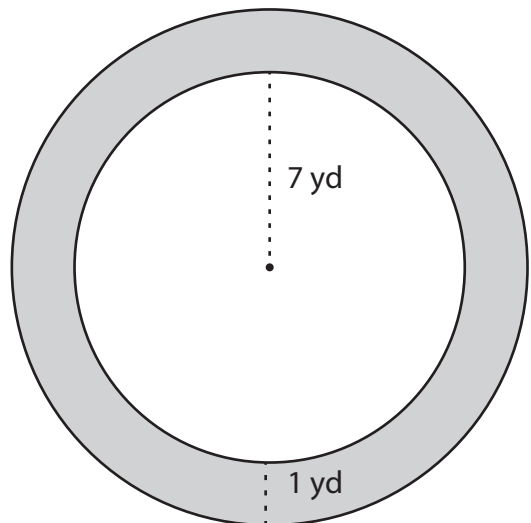
Area =

3)



Area =

4)



Area =



Area of Concentric Circles

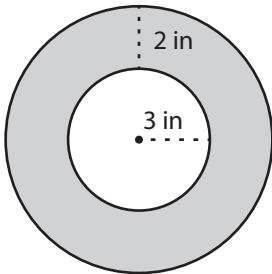
Name _____

Score _____

Answer key

AC:34

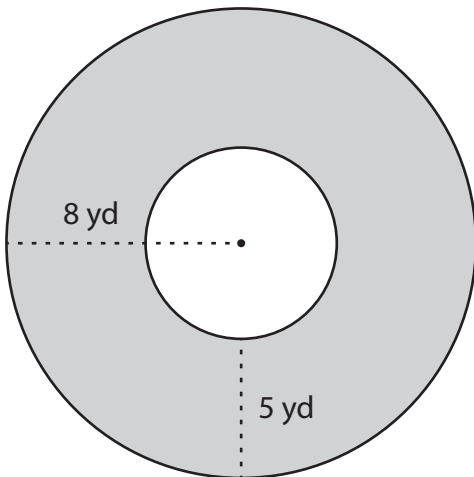
Example : Find the area of the shaded region. (Use $\pi = \frac{22}{7}$ or 3.14)



$$\begin{aligned} \text{Area of shaded region} &= \text{Area of the outer circle} - \text{Area of the inner circle} \\ &= \pi R^2 - \pi r^2 \quad ; \quad R = (2 + 3 = 5) \text{ in} , \quad r = 3 \text{ in} \\ &= \pi(R^2 - r^2) \\ &= 3.14 \times (5^2 - 3^2) \\ &= 3.14 \times (25 - 9) = 3.14 \times 16 = \mathbf{50.24 \text{ in}^2} \end{aligned}$$

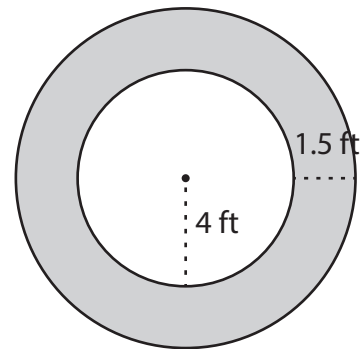
Find the area of the shaded region. (Use $\pi = \frac{22}{7}$ or 3.14)

1)



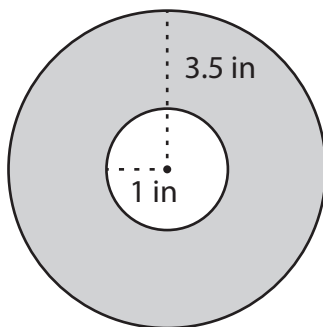
Area = $\mathbf{172.7 \text{ yd}^2}$

2)



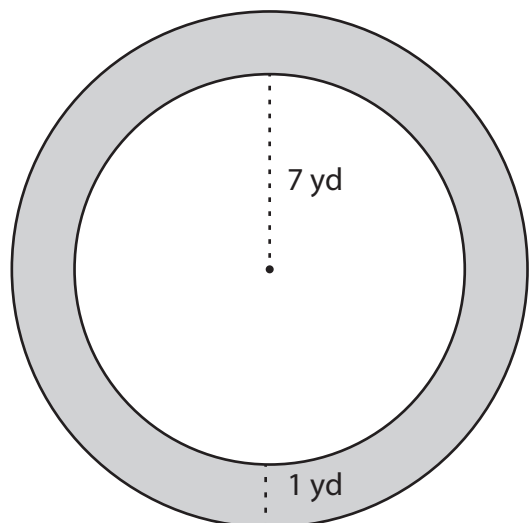
Area = $\mathbf{44.745 \text{ ft}^2}$

3)



Area = $\mathbf{35.325 \text{ in}^2}$

4)



Area = $\mathbf{47.1 \text{ yd}^2}$